

shindaiwa[®]

SPECIFICATIONS

DGW310DMC-220

CONTENTS

CHAPTER 1: GENERAL.....1

- 1. Standards**
- 2. Design Conditions**
- 3. Test and Check**
- 4. Painting**
- 5. Structure**

CHAPTER 2: SPECIFICATIONS.....2

CHAPTER 3: EQUIPMENT AND FEATURE.....3

- 1. Equipment**
 - (1) Generator**
 - (2) Welder**
 - (3) Others**
- 2. Feature**
 - (1) Feature**
 - (2) Protection Device.....4**
 - (3) Accessories**

CHAPTER 4: APPEARANCE.....5

CHAPTER 1: GENERAL

1. Standards

Design and production are in conformity with:

- (1) Japan Industrial Standards: JIS C 9300-1
- (2) Low Noise Type Construction Machinery Standard
- (3) Voluntary Emission Regulations for non-road engines in Japan by LEMA. (Tier 3)

*LEMA stands of Japan Land Engine Manufacturers Association.

2. Design Conditions

- (1) Installation Place: Outside Only.
- (2) Ambient Temperature: -15 to +40°C
- (3) Humidity: Less than 85%
- (4) Altitude: Less than 300 meters above sea level

3. Test and Check

Test shall be done with a complete workable unit of the diesel engine unit.

Check Items:

- (1) Insulation and Dielectric Test
- (2) Starting
- (3) Protection Device Working Test
- (4) Voltage Deviation and Speed Variation: 0-4/4 Load
- (5) Load Test: Welding and Generating 4/4 Load

4. Painting

Painting and color specifications are as per manufacturer's standard.

5. Structure

- (1) Bed and Vibration Proof Device
Alternator is directly coupled with engine and both are installed on the bed through the vibration proof device.
- (2) Low Noise
Low noise structure is put in the inside of the bonnet.
Sound Level: 58dB(A) @7m distance at Eco mode.
- (3) Fuel Tank
A steel fuel tank is equipped and incorporated with the electrical level gauge.

CHAPTER 2: SPECIFICATIONS

Model		DGW310DMC-220			
Generating Method		Rotating Field			
Welding DC Generator	Rated Current (A)	260 / 280			
	Rated Voltage (V)	30.4 / 31.2			
	Duty Cycle (%)	100			
	Rated Speed (min^{-1})	3000 / 3600			
	No Load Voltage (V)	MAX 85			
	ECO	Current Adj. Range (A)	30 – 160		
		Welding Rod (mm)	$\phi 2.0 - \phi 4.0$		
	SINGLE	Current Adj. Range (A)	70 – 280 / 85 – 310		
		Welding Rod (mm)	$\phi 2.6 - \phi 6.0$		
DUAL	Current Adj. Range (A)	35 – 150 / 45 – 160			
	Welding Rod (mm)	$\phi 2.0 - \phi 4.0$			
AC Generator	Rated Frequency (Hz)	50 / 60			
	Rated Speed (min^{-1})	3000 / 3600			
	Phase	1-Phase		3-Phase	
	Rated Voltage (V)	100 / 110	200 / 220	200 / 220	
	Power Factor	1.0		0.8	
	Rated Output (kVA)	6.0	8.0	9.9	
	Rating	Continuous			
Engine	Model	Kubota D722			
	Type	Water-Cooled 4-Cycle Diesel Engine			
	Displacement (L)	0.719			
	Rated Output ($\text{kW}/\text{min}^{-1}$)	11.7 / 3000 14.0 / 3600			
	Fuel	ASTM No.2-D Diesel Fuel or Equivalent			
	Lubricant Oil	API Class CD or better			
	Lubrication Oil Volume (L)	3.8 (Effective 1.4)			
	Cooling Water Volume (L)	3.0 (Sub Tank Capacity 0.6 L included)			
	Starting Method	Starter Motor			
Battery		46B24L (Japanese Industrial Standard)			
Fuel Tank Capacity (L)		37			
Dimension	Length (mm)	1410			
	Width (mm)	566			
	Height (mm)	760			
Dry Weight (kg)		338			

*Specifications subject to change without notice.

CHAPTER 3: EQUIPMENT AND FEATURE

1. Equipment

- (1) Generator
 - AC Voltage Meter (Digital) 1 pc.
 - 1-phase Receptacle (15A) 2 pcs.
 - Earth Leakage Circuit Breaker 1 pc.
 - Frequency Change Selector 1 pc.

- (2) Welder
 - Output Control Dial (Output A & B)..... 2 pcs
 - Remote Control Connector (Output A & B) 2 pcs

*Remote Controller is optional.

- (3) Other
 - Idle Control Switch 1 pc.
 - Digital Meter..... 1 pc.
 - AC Voltage
 - Hour (Accumulated)
 - Engine Speed
 - Grounding Terminal & Grounding Rod 1 set
 - Monitor Lamp..... 1 set
 - Water Temp.
 - Battery Charge
 - Oil Pressure

2. Feature

- (1) Feature
 - Sound Level 58dB(A) at 7m distance at Eco mode.
 - Generating Performance 1-phase & 3-phase
 - 2 Way Drive Control High/Auto
 - Environmental EPA Emission Compliance Level and Low Noise Level
 - Fuel Tank Capacity 37 Liters
 - Dry Weight 333 kg
 - Dimensions (LxWxH) 1410 x 566 x 760 mm

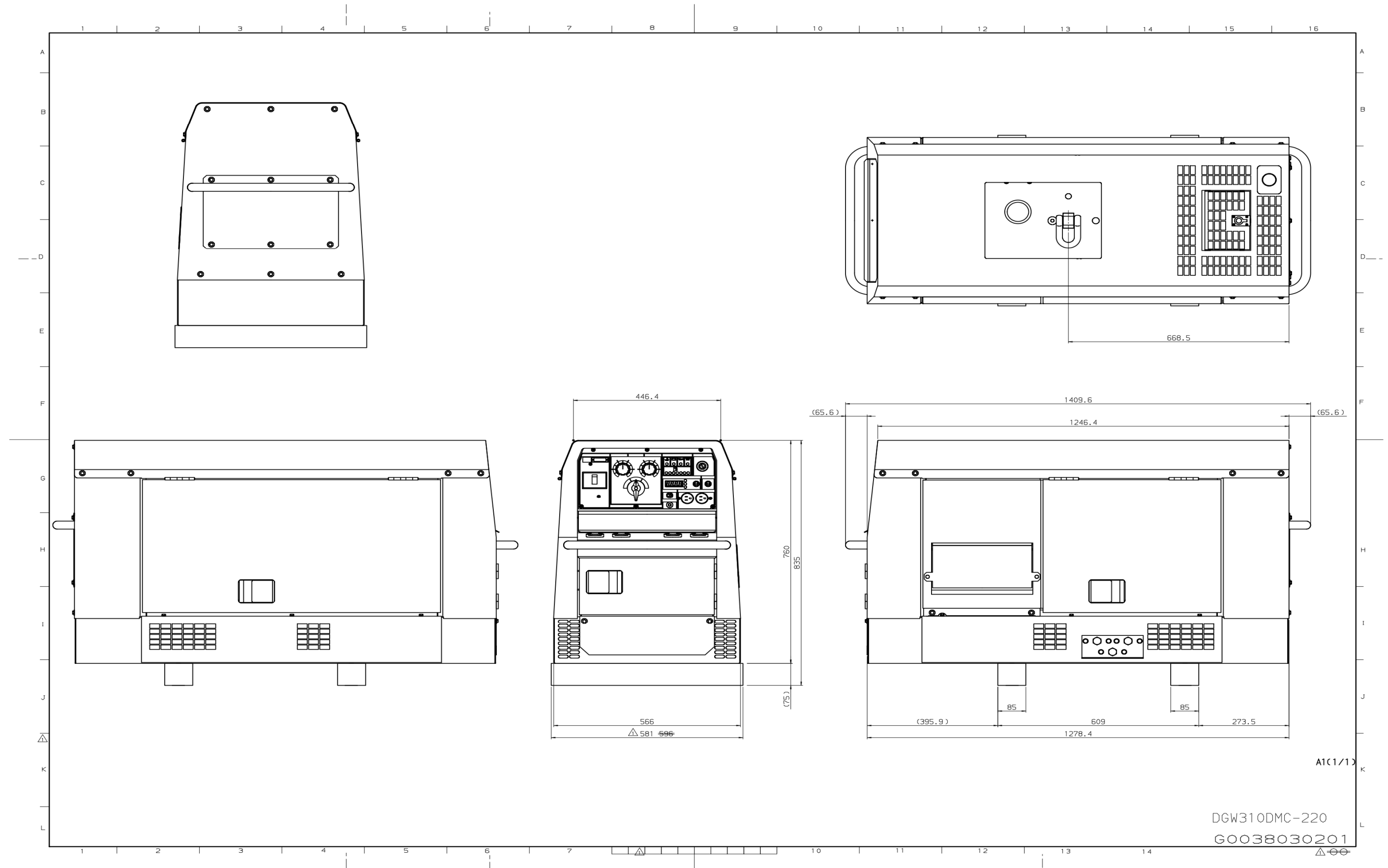
(2) Protection Device

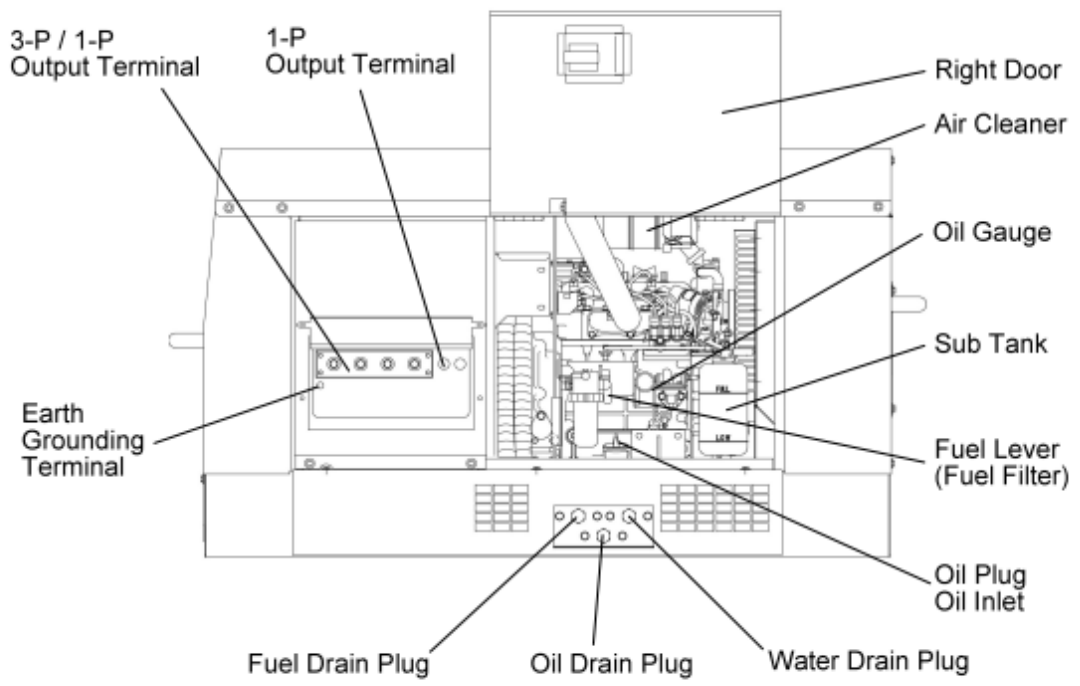
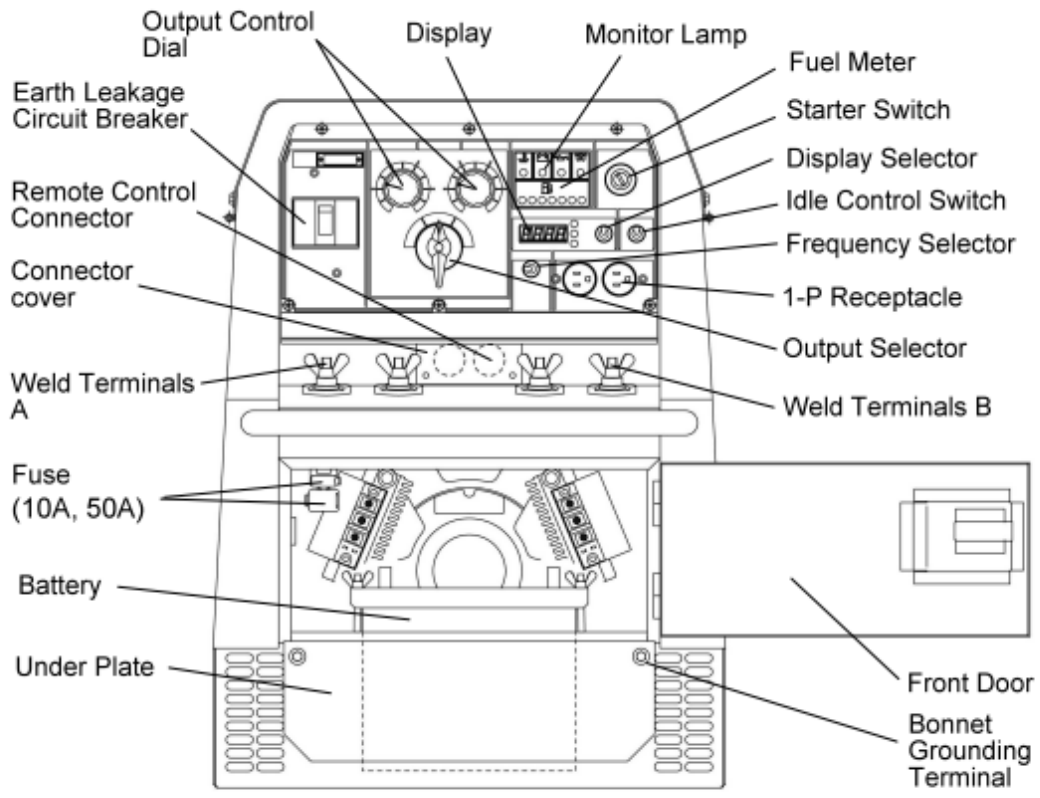
Item	Set Value	Engine Shut-Down
Water Temp.		○
Battery Charge	-	○
Oil Pressure	100kPa	○
Current Leakage	30mA 0.1 sec.	-

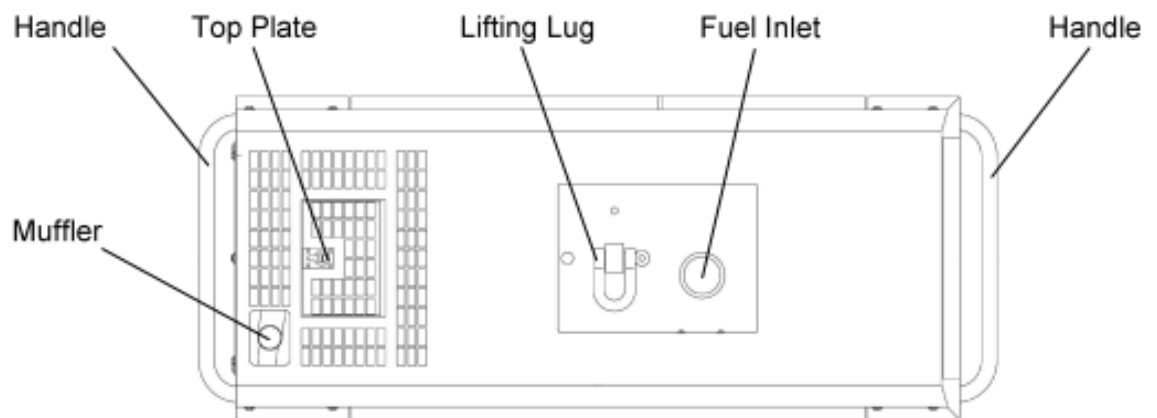
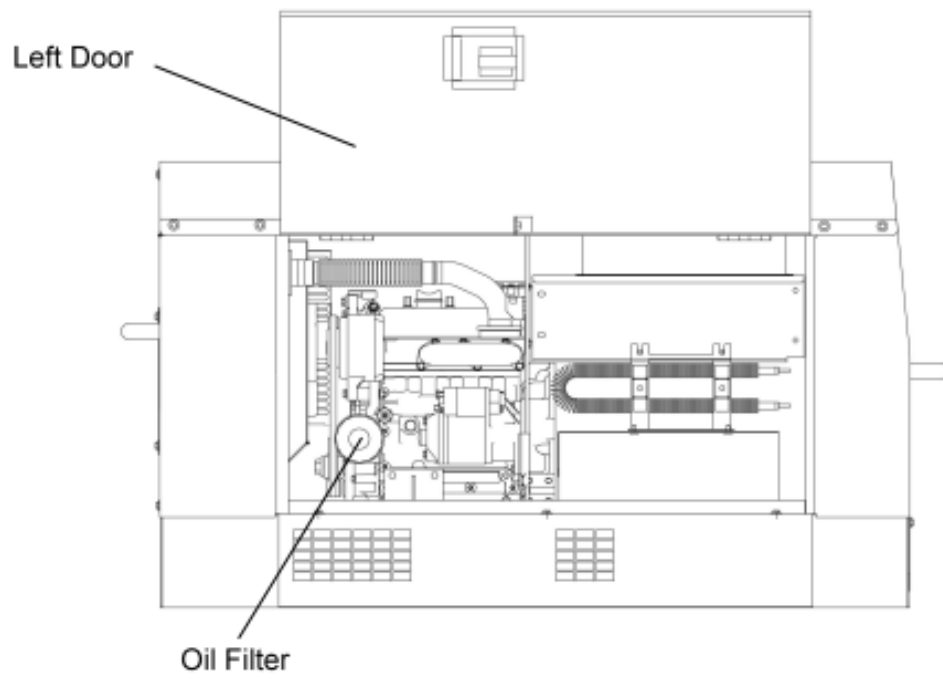
(3) Accessories

Owner's & Operator's Manual	1 copy
Tool Set	1 set
• Spanner	3 pcs
• Screw Driver	1 pc
• Plug Wrench	1 pc
• Tool Bag	1 pc
Starter Key	1 set
Grounding Rod	1 pc

CHAPTER 4: APPEARANCE







YAMABIKO CORPORATION

**35 SHIN-UJIGAMI, KITA-HIROSHIMA-CHO,
YAMAGATA-GUN, HIROSHIMA 731-1597 JAPAN**

Telephone: (81)826-72-5140

Fax: (81) 826-72-7004

www.yamabiko-corp.co.jp